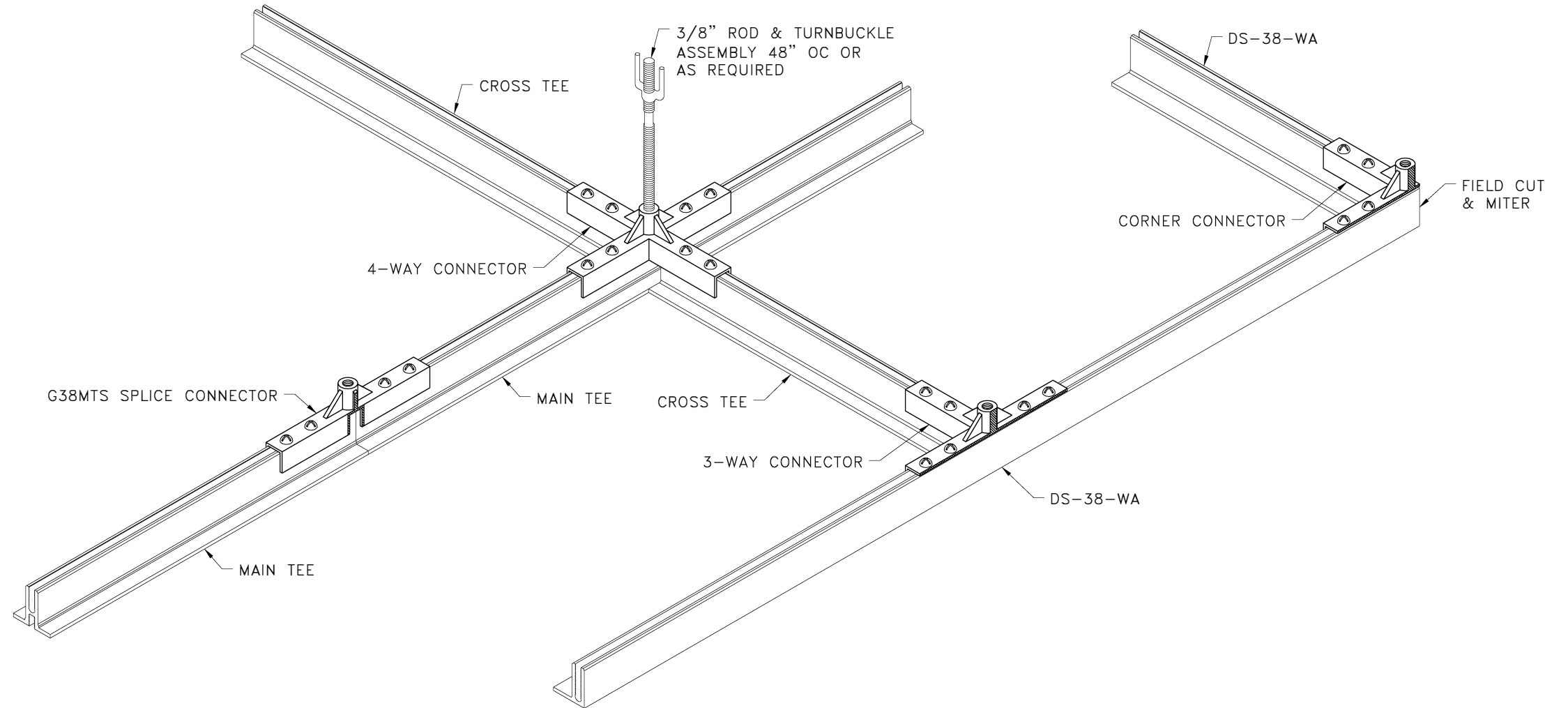
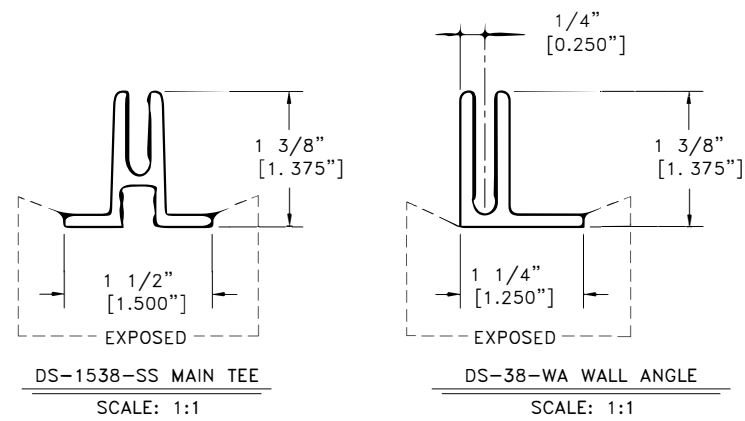


TYPICAL PERIMETER SECTION USING DS-38-WA
(PANEL NOT SHOWN)
SCALE: 1:1



TYPICAL GRID ASSEMBLY
(PANELS NOT SHOWN)
NOT TO SCALE



DS-1538-SS MAIN TEE
SCALE: 1:1

DS-38-WA WALL ANGLE
SCALE: 1:1

										SEE SHEET 1 FOR NOTE & REVISION DESCRIPTIONS										
SALES CODE					SHEET TITLE					P#		RUNS:		QUANTITY:						
SALES DIE #					DS-1538-SS/DS-38-WA STANDARD DETAILS					1 of 1		SALES ORDER		PATH & DRAWING NUMBER						
ARCHITECT					JOB NAME							H:\DWG\LAYOUTS\CL-ROOM\STARTUP DRAWINGS		DS-1538SS_DSWA_STARTUP						
CUSTOMER					COMP DATE		DRAWN BY		APRVD BY		REL DATE		DRAWING SCALE		PLOTTED SCALE		SOFTWARE USED		REVISION	
					MM/DD/YY		---		MLD		6/10/09		AS NOTED		1:2		AutoCAD		-	